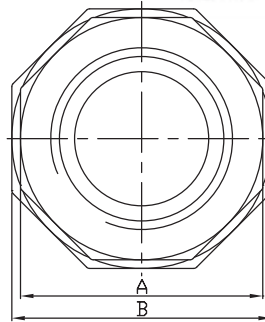
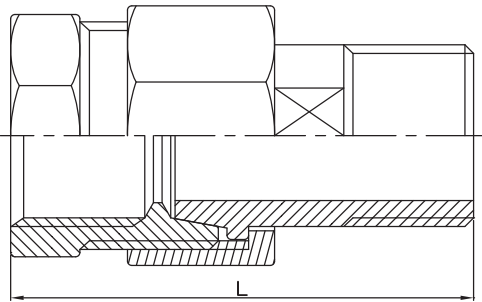


# Union M/F

# U02

## 1000 Psi



| SIZE | 1/4" |      | 3/8" |      | 1/2" |      | 3/4" |      | 1" |      | 1-1/4" |      | 1-1/2" |      | 2" |      |
|------|------|------|------|------|------|------|------|------|----|------|--------|------|--------|------|----|------|
|      | mm   | in   | mm   | in   | mm   | in   | mm   | in   | mm | in   | mm     | in   | mm     | in   | mm | in   |
| A    | 18   | 0.71 | 22   | 0.87 | 28   | 1.1  | 35   | 1.38 | 43 | 1.69 | 52     | 2.05 | 57     | 2.24 | 68 | 2.68 |
| B    | 21   | 0.83 | 24   | 0.94 | 30   | 1.18 | 36   | 1.42 | 46 | 1.81 | 55     | 2.17 | 60     | 2.36 | 70 | 2.76 |
| L    | 41   | 1.61 | 45   | 1.77 | 54   | 2.13 | 57   | 2.24 | 66 | 2.6  | 70     | 2.76 | 73     | 2.87 | 83 | 3.27 |

Tolerance:  $\pm 0.5\text{mm}$



8F., No.201, Sec. 2, Tiding Blvd., Neihu District, Taipei City 114, Taiwan R.O.C.  
 TEL : +886-2-2658-5800      FAX : +886-2-2658-2266 / 2799-7766

[Http://www.haitima.com.tw](http://www.haitima.com.tw)  
 E-mail : [haitima@seed.net.tw](mailto:haitima@seed.net.tw)