

Hexagon Nut

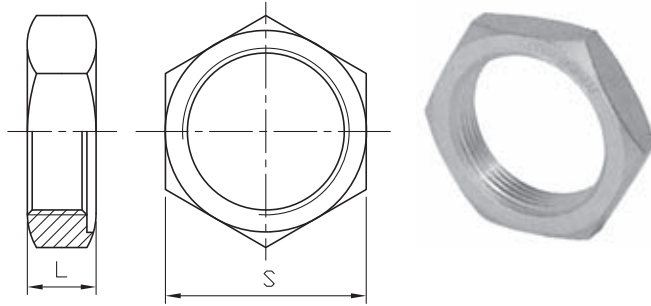
F15

Class
150

Standard Pattern

SIZE	L		S	
	mm	in	mm	in
1/8"	6.3	0.25	17.3	0.68
1/4"	7	0.28	19.1	0.75
3/8"	7.5	0.3	25.3	1
1/2"	7.7	0.3	30.1	1.19
3/4"	9.2	0.36	34.4	1.35
1"	9	0.35	43.2	1.7
1-1/4"	11.7	0.46	52	2.05
1-1/2"	11.8	0.46	58.1	2.29
2"	13.1	0.52	71.9	2.83
2-1/2"	14.8	0.58	90.4	3.56
3"	17	0.67	103	4.06
4"	18	0.71	128	5.04

Tolerance: $\pm 0.5\text{mm}$ (1/8"~2")
 $\pm 0.8\text{mm}$ (2-1/2"~4")



8F., No.201, Sec. 2, Tiding Blvd., Neihu District, Taipei City 114, Taiwan R.O.C.
 TEL : +886-2-2658-5800 FAX : +886-2-2658-2266 / 2799-7766

[Http://www.haitima.com.tw](http://www.haitima.com.tw)
 E-mail : haitima@seed.net.tw