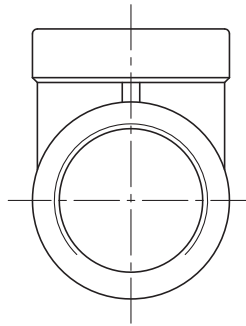
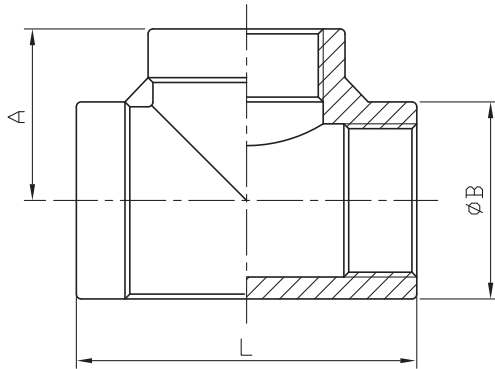


# TEE

# F04

## Class 150



### Standard Pattern

SIZE	1/8"		1/4"		3/8"		1/2"		3/4"		1"		1-1/4"		1-1/2"		2"		2-1/2" (NPT)		2-1/2" (PS)		3"		4"	
	mm	in	mm	in	mm	in	mm	in	mm	in	mm	in	mm	in	mm	in	mm	in	mm	in	mm	in	mm	in	mm	in
A	17	0.67	19.5	0.77	22	0.87	27.5	1.08	30	1.18	35	1.38	42.5	1.67	44.5	1.75	53.5	2.11	68	2.68	66	2.6	72	2.83	91	3.58
B	15	0.59	18.5	0.73	22	0.87	25.5	1	32.2	1.27	39.5	1.56	49	1.93	56	2.2	67.6	2.66	84.5	3.33	87.5	3.44	100	3.94	126	4.96
L	34	1.34	39	1.54	44	1.73	55	2.17	60	2.36	70	2.76	85	3.35	88.5	3.48	107	4.21	128	5.04	129	5.08	144	5.67	180	7.09

Tolerance: ±0.5mm(1/8"~2")  
±0.8mm(2-1/2"~4")

### Economic Pattern

SIZE	1/8"		1/4"		3/8"		1/2"		3/4"		1"		1-1/4"		1-1/2"		2"		2-1/2" (NPT)		2-1/2" (PS)		3"		4"	
	mm	in	mm	in	mm	in	mm	in	mm	in	mm	in	mm	in	mm	in	mm	in	mm	in	mm	in	mm	in	mm	in
A	17	0.67	19.5	0.77	22	0.87	27.5	1.08	30	1.18	35	1.38	42.5	1.67	44.5	1.75	53.5	2.11	68	2.68	68	2.68	76	2.99	91	3.58
B	13.9	0.55	17.4	0.69	20.9	0.82	24.9	0.98	31.2	1.23	38.1	1.5	47.4	1.87	54.1	2.13	66.6	2.62	80.1	3.15	82.4	3.24	95.9	3.78	121.8	4.8
L	34	1.34	39	1.54	44	1.73	55	2.17	60	2.36	70	2.76	85	3.35	89	3.5	107	4.21	136	5.35	136	5.35	152	5.98	182	7.17

Tolerance: ±0.5mm(1/8"~2")  
±0.8mm(2-1/2"~4")



8F., No.201, Sec. 2, Tiding Blvd., Neihu District, Taipei City 114, Taiwan R.O.C.  
TEL : +886-2-2658-5800 FAX : +886-2-2658-2266 / 2799-7766

[Http://www.haitima.com.tw](http://www.haitima.com.tw)  
E-mail : [haitima@seed.net.tw](mailto:haitima@seed.net.tw)