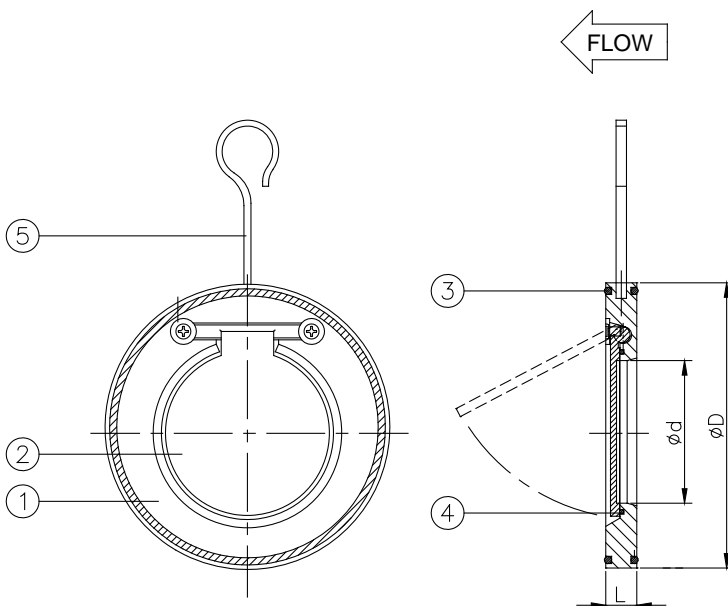


FEATURES



- 2" ~ 12" (DN50 ~ DN300)
- W.P. : PN10/16/40
CLASS 150/300/600
JIS 5K/10K/20K
- W.T. : -20°C ~ 200°C (-4°F ~ 392°F)
- Investment casting
- Metal to metal (option)

| ITEM | PARTS | MATERIAL | |
|------|--------------|----------------|---------------|
| 1 | BODY | ASTM A240-316 | ASTM A240-304 |
| 2 | DISC | ASTM A351-CF8M | ASTM A351-CF8 |
| 3 | BODY SEAL | NBR | |
| 4 | CLAPPER SEAL | NBR / VITON | |
| 5 | EYE BOLT | AISI 304 | |



PN16 ONLY, OTHER PRESSURE RATING PLEASE CONTACT US.

| DN | d | D | L |
|-----|-----|-----|----|
| 50 | 30 | 104 | 19 |
| 65 | 42 | 124 | 19 |
| 80 | 50 | 134 | 19 |
| 100 | 72 | 159 | 19 |
| 125 | 93 | 191 | 21 |
| 150 | 112 | 220 | 21 |
| 200 | 142 | 271 | 27 |
| 250 | 190 | 330 | 29 |
| 300 | 211 | 386 | 32 |

unit:mm

| NPS | d | D | L |
|--------|------|-------|------|
| 2" | 1.18 | 4.09 | 0.75 |
| 2-1/2" | 1.65 | 4.88 | 0.75 |
| 3" | 1.97 | 5.28 | 0.75 |
| 4" | 2.83 | 6.26 | 0.75 |
| 5" | 3.66 | 7.52 | 0.83 |
| 6" | 4.41 | 8.66 | 0.83 |
| 8" | 5.59 | 10.67 | 1.06 |
| 10" | 7.48 | 12.99 | 1.14 |
| 12" | 8.31 | 15.2 | 1.26 |

unit:in