



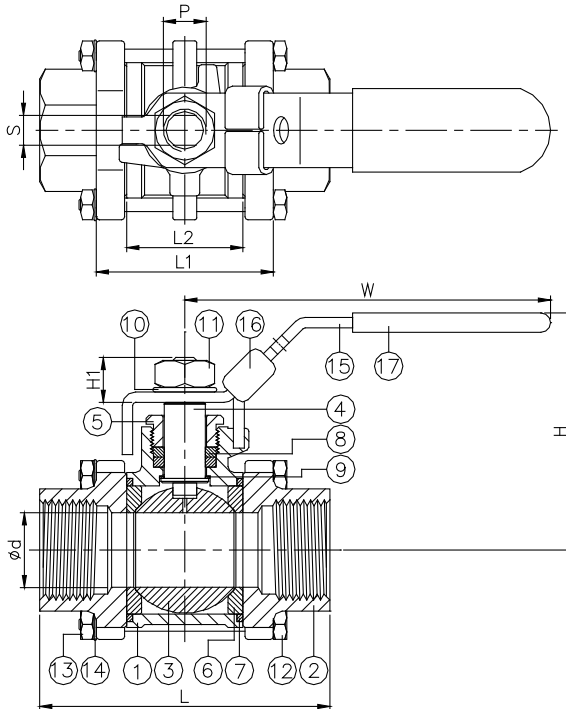
3-PC. SCREWED END BALL VALVE

2013

FEATURES



- Full port, 1/4"~4" (DN8~DN100)
 - W.P. : 1000 WOG (PN63)
 - W.T. : -20°C~200°C (-4°F~392°F)
 - Investment casting
 - Blow-out proof stem
 - Anti-static device (option)
 - Locking device
- Thread type : ASME B1.20.1 (NPT)
DIN2999 & BS21
ISO7/1 & EN10226



ITEM	PARTS	MATERIAL	
1	BODY	ASTM A351-CF8M	ASTM A216-WCB
2	CAP		
3	BALL	ASTM A351-CF8M	
4	STEM	ASTM A276-316	
5	GLAND NUT	AISI 304	
6	SEAT	PTFE / RTFE / CTFE	
7	SEAL	PTFE	
8	PACKING		
9	THRUST WASHER	AISI 304	
10	SPRING WASHER		
11	STEM NUT		
12	BOLT		
13	NUT	STAINLESS STEEL	
14	SPRING WASHER		
15	HANDLE	PVC	
16	LOCKING DEVICE		
17	HANDLE SLEEVE		

DN	d	L	L1	L2	H	H1	W	S	P	Torque (N-M)	Weight (kg)
8	11.6	64.5	35.5	21.5	56	9.5	102	5	5/16"UNC	4.5	0.4
10	12.7	64.5	35.5	21.5	56	9.5	102	5	5/16"UNC	4.5	0.4
15	15	66	38	24	57	10.5	102	5	5/16"UNC	5	0.5
20	20	83.4	43	28	66	13.5	120.5	6.5	3/8"UNC	8	0.7
25	25	95	54	35	76	15.5	158.5	8	7/16"UNC	10	1.1
32	32	111.2	65	45	81	15.5	158.5	8	7/16"UNC	14	1.7
40	38	130	75	55	98	17.5	188	9	1/2"UNC	19	2.4
50	50	151	88	66	106	17.5	188	9	1/2"UNC	23	3.6
65	65	184	114	86	138	33	245	12	3/4"UNC	31	8.9
80	80	209	132	100	154	33	290	12	3/4"UNC	50	14.3
100	100	234.4	158	125	178	42	320	16	1"UNC	60	23.4

unit:mm

NPS	d	L	L1	L2	H	H1	W	S	P	Torque (in-lb)	Weight (lb)
1/4"	0.46	2.54	1.4	0.85	2.2	0.37	4.02	0.2	5/16"UNC	39.8	0.9
3/8"	0.5	2.54	1.4	0.85	2.2	0.37	4.02	0.2	5/16"UNC	39.8	0.9
1/2"	0.59	2.6	1.5	0.94	2.24	0.41	4.02	0.2	5/16"UNC	44.3	1.1
3/4"	0.79	3.28	1.69	1.1	2.6	0.53	4.74	0.26	3/8"UNC	70.8	1.5
1"	0.98	3.74	2.13	1.38	2.99	0.61	6.24	0.31	7/16"UNC	88.5	2.4
1-1/4"	1.26	4.38	2.56	1.77	3.19	0.61	6.24	0.31	7/16"UNC	123.9	3.7
1-1/2"	1.5	5.12	2.95	2.17	3.86	0.69	7.4	0.35	1/2"UNC	168.2	5.3
2"	1.97	5.94	3.46	2.6	4.17	0.69	7.4	0.35	1/2"UNC	203.6	7.9
2-1/2"	2.56	7.24	4.49	3.39	5.43	1.3	9.65	0.47	3/4"UNC	274.4	19.6
3"	3.15	8.23	5.2	3.94	6.06	1.3	11.42	0.47	3/4"UNC	442.5	31.5
4"	3.94	9.23	6.22	4.92	7.01	1.65	12.6	0.63	1"UNC	531	51.6

unit:in



8F, No.201, Sec. 2, Tiding Blvd., Neihu District, Taipei City 114, Taiwan R.O.C.
 TEL: +886-2-2658-5800 FAX: +886-2-2658-2266 / 2799-7766

E-mail : haitima@seed.net.tw
<http://www.haitima.com.tw>