



# 3-PC. SCREWED END BALL VALVE

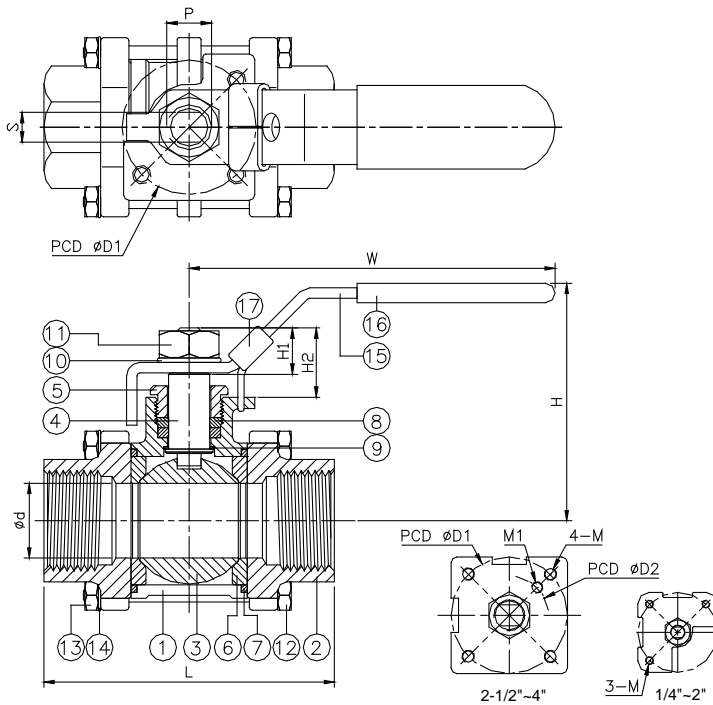
# 2013M

## FEATURES



- Full port, 1/4"~4" (DN8~DN100)
- W.P. : 1000 WOG (PN63)
- W.T. : -20°C~200°C (-4°F~392°F)
- Investment casting
- Blow-out proof stem
- Anti-static device (option)
- Locking device
- ISO 5211 Mounting pad
- **ISO 5211 direct Mounting pad**
- **2413D (option)**

- Thread type : ASME B1.20.1 (NPT)  
DIN2999 & BS21  
ISO7/1 & EN10226



ITEM	PARTS	MATERIAL	
1	BODY	ASTM A351-CF8M	ASTM A216-WCB
2	CAP		
3	BALL	ASTM A351-CF8M	
4	STEM	ASTM A276-316	
5	GLAND NUT	AISI 304	
6	SEAT	PTFE / RTFE	
7	SEAL		
8	PACKING	PTFE	
9	THRUST WASHER		
10	SPRING WASHER		
11	STEM NUT		
12	BOLT	AISI 304	
13	NUT		
14	SPRING WASHER		
15	HANDLE	STAINLESS STEEL	
16	HANDLE SLEEVE	PVC	
17	LOCKING DEVICE	STAINLESS STEEL	

DN	d	L	H	H1	H2	W	S	D1	D2	P	M	M1	Torque (N·m)	Weight (kg)
8	11.6	64.5	56	11	15	119	5	36	-	5/16"UNC	M5	-	4	0.5
10	12.7	64.5	56	11	15	119	5	36	-	5/16"UNC	M5	-	4	0.4
15	15	66	57	11	15	119	5	36	-	5/16"UNC	M5	-	4	0.5
20	20	83.4	63	14	19.5	135.5	6.5	36	-	3/8"UNC	M5	-	7	0.8
25	25	95	81	15.5	23.5	158.5	8	42	-	7/16"UNC	M5	-	7.5	1.1
32	32	111.2	87	15.5	20	158.5	8	50	-	7/16"UNC	M5	-	11	1.8
40	38	130	96	18	26	188	9	50	-	1/2"UNC	M6	-	17	2.5
50	50	151	109	18	26	198	9	70	-	1/2"UNC	M8	-	45	3.8
65	65	184	133	31	40	280	12	102	68.5	3/4"UNC	M12	M10	59	8.8
80	80	209	149	31	38	320	12	102	68	3/4"UNC	M12	M10	90	14.3
100	100	234.4	171	40	53	312	16	102	69	1"UNC	M12	M10	160	23.5

unit:mm

NPS	d	L	H	H1	H2	W	S	D1	D2	P	M	M1	Torque (in·lb)	Weight (lb)
1/4"	0.46	2.54	2.2	0.43	0.59	4.69	0.2	1.42	-	5/16"UNC	M5	-	35.4	1.1
3/8"	0.5	2.54	2.2	0.43	0.59	4.69	0.2	1.42	-	5/16"UNC	M5	-	35.4	0.9
1/2"	0.59	2.6	2.24	0.43	0.59	4.69	0.2	1.42	-	5/16"UNC	M5	-	35.4	1.1
3/4"	0.79	3.28	2.48	0.55	0.77	5.33	0.26	1.42	-	3/8"UNC	M5	-	62	1.8
1"	0.98	3.74	3.19	0.61	0.93	6.24	0.31	1.65	-	7/16"UNC	M5	-	66.4	2.4
1-1/4"	1.26	4.38	3.43	0.61	0.79	6.24	0.31	1.97	-	7/16"UNC	M5	-	97.4	4
1-1/2"	1.5	5.12	3.78	0.71	1.02	7.4	0.35	1.97	-	1/2"UNC	M6	-	150.5	5.5
2"	1.97	5.94	4.29	0.71	1.02	7.8	0.35	2.76	-	1/2"UNC	M8	-	398.3	8.4
2-1/2"	2.56	7.24	5.24	1.22	1.57	11.02	0.47	4.02	2.7	3/4"UNC	M12	M10	522.2	19.4
3"	3.15	8.23	5.87	1.22	1.5	12.6	0.47	4.02	2.68	3/4"UNC	M12	M10	796.6	31.5
4"	3.94	9.23	6.73	1.57	2.09	12.28	0.63	4.02	2.72	1"UNC	M12	M10	1416.1	51.8

unit:in



8F, No.201, Sec. 2, Tiding Blvd., Neihu District, Taipei City 114, Taiwan R.O.C.  
TEL: +886-2-2658-5800 FAX: +886-2-2658-2266 / 2799-7766

E-mail : [haitima@seed.net.tw](mailto:haitima@seed.net.tw)  
<http://www.haitima.com.tw>