



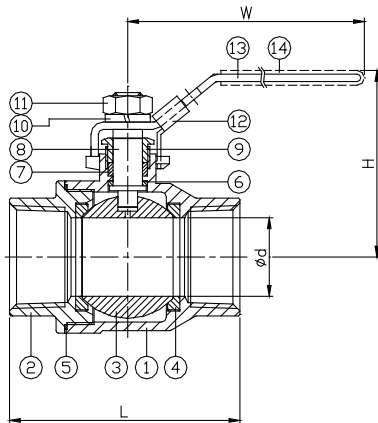
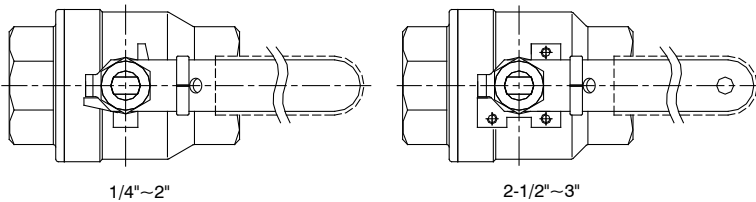
# 2-PC. SCREWED END BALL VALVE

# 2006S-A

## FEATURES



- Full port, 1/4"~3" (DN8~DN80)
  - W.P. : 1000 WOG (PN63)
  - W.T. : -20°C~200°C (-4°F~392°F)
  - Investment casting
  - Blow-out proof stem
  - Anti-static device (option)
  - Locking device
- Thread type : ASME B1.20.1 (NPT)  
DIN2999 & BS21  
ISO7/1 & EN10226



ITEM	PARTS	MATERIAL
1	BODY	ASTM A351-CF8M
2	CAP	
3	BALL	AISI 316
4	SEAT	RTFE
5	SEAL	PTFE
6	THRUST WASHER	
7	PACKING	AISI 304
8	STEM	
9	GLAND	AISI 304
10	SPRING WASHER	
11	STEM NUT	AISI 304
12	HANDLE	
13	LOCKING DEVICE	PVC
14	HANDLE SLEEVE	

DN	d	L	H	W
8	11.6	50.8	58.5	99.5
10	12.5	50.8	58.5	99.5
15	15	60	60.5	99.5
20	20	70	63	123
25	25	82.5	79.5	149
32	32	96.5	86	149
40	38	110	101.7	190
50	50	134	109.3	190
65	65	167	142	247
80	76	192	150	247

unit:mm

NPS	d	L	H	W
1/4"	0.46	2	2.3	3.92
3/8"	0.49	2	2.3	3.92
1/2"	0.59	2.36	2.38	3.92
3/4"	0.79	2.76	2.48	4.84
1"	0.98	3.25	3.13	5.87
1-1/4"	1.26	3.8	3.39	5.87
1-1/2"	1.5	4.33	4	7.48
2"	1.97	5.28	4.3	7.48
2-1/2"	2.56	6.57	5.59	9.72
3"	2.99	7.56	5.91	9.72

unit:in



8F, No.201, Sec. 2, Tiding Blvd., Neihu District, Taipei City 114, Taiwan R.O.C.  
TEL: +886-2-2658-5800 FAX: +886-2-2658-2266 / 2799-7766

E-mail : [haitima@seed.net.tw](mailto:haitima@seed.net.tw)  
<http://www.haitima.com.tw>